

## RADIOWAVE HIGH PERFORMANCE ANTENNAS

### ELETRICAL SPECIFICATIONS

#### ANTENNA CODE: A-ANT-XXG-YY-C-R

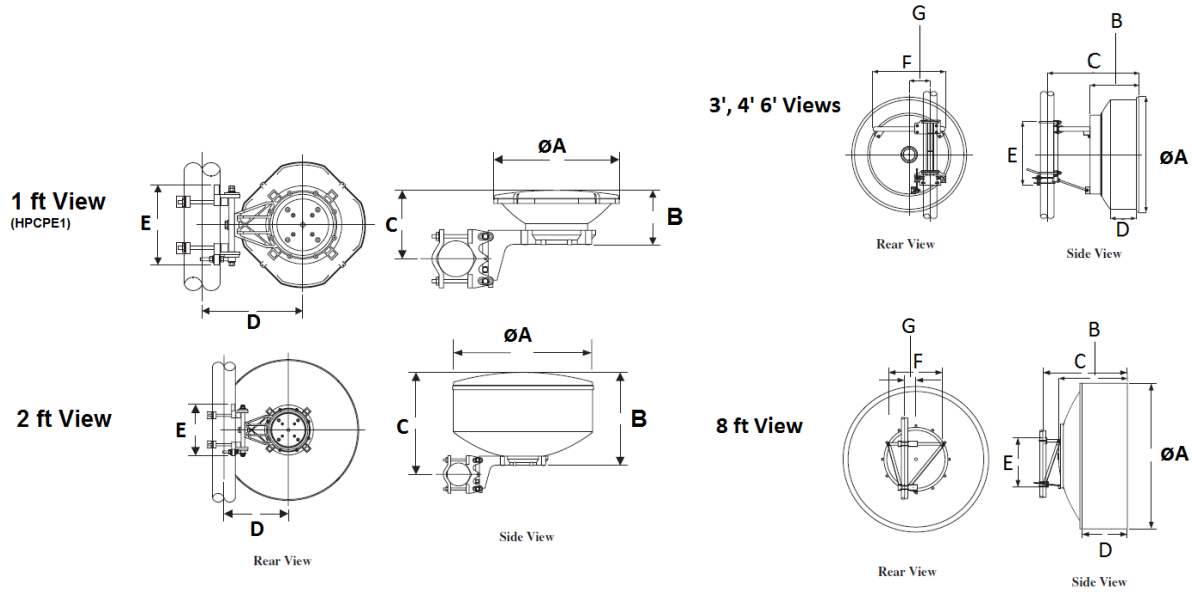
XX: FREQUENCY (GHz); YY: Diameter (inches); C/W: (Clip mount (Single Pole)/Waveguide (Dual Pole)); R: Radiowave Antenna

Frequency Band, GHz	Dish Size (ft)	Mid Band Gain, dBi	Beam width, degrees	Front/Back, dB	ETSI 302 217 Class	FCC Part 101	Dragonwave Antenna PN*	Radiowaves Antenna PN
<b>06GHz</b> 5.925-7.125	2	35.9	2.8	N/A	N/A	N/A	A-ANT-06G-24-C-R	HP2-64DW2
	3	39.6	1.8	N/A	N/A	N/A	A-ANT-06G-36-C-R	HP3-64DW2
	8	N/A	N/A	N/A	Class 2	Cat A	A-ANT-06G-84-W-R	HP8-59
<b>L6GHz</b> 5.725-6.425	4	35	2.7	N/A	Class 2	N/A	A-ANT-L6G-48-C-R	HP4-59DW2
	6	39	1.9	N/A	Class 2	Cat A	A-ANT-L6G-72-C-R	HP6-59DW2
	8	41.7	1.5	N/A	Class 2	Cat A	A-ANT-L6G-84-W-R	HP8-59DW2
<b>U6GHz</b> 6.425-7.125	4	N/A	N/A	N/A	Class 2	N/A	A-ANT-U6G-48-C-R	HP4-64
	6	N/A	N/A	N/A	Class 2	Cat A	A-ANT-U6G-72-C-R	HP6-64
	8	N/A	N/A	N/A	Class 2	Cat A	A-ANT-U6G-84-W-R	HP8-64
<b>7GHz</b> 7.125 – 7.750	2	30.7	4.6	58	Class 2	N/A	A-ANT-07G-24-C-R	HP2-77
	3	33.7	3	61	Class 2	N/A	A-ANT-07G-36-C-R	HP3-77
	4	36.3	2.3	64	Class 2	N/A	A-ANT-07G-48-C-R	HP4-77
	6	39.5	1.5	67	Class 3	N/A	A-ANT-07G-72-C-R	HP6-77
	8	N/A	N/A	N/A	Class 2	N/A	A-ANT-07G-96-W-R	HP8-77
<b>8GHz</b> 7.750-8.500	2	31	4.5	40	Class 2	N/A	A-ANT-08G-24-C-R	HP2-77
	3	34.5	3	43	Class 2	N/A	A-ANT-08G-36-C-R	HP3-77
	4	37	2.3	46	Class 2	N/A	A-ANT-08G-48-C-R	HP4-77
	6	40.1	1.4	49	Class 3	N/A	A-ANT-08G-72-C-R	HP6-77
	8	N/A	N/A	N/A	Class 2	N/A	A-ANT-08G-96-W-R	HP8-77
<b>11GHz</b> 10.7-11.7	2	33.4	3.4	61	Class 2	Cat B	A-ANT-11G-24-C-R	HP2-11DW2
	3	36.9	2.2	64	Class 3	Cat A	A-ANT-11G-36-C-R	HP3-11DW2
	4	39.4	1.7	67	Class 2	Cat A	A-ANT-11G-48-C-R	HP4-11DW2
	6	32.5	1	70	Class 2	Cat A	A-ANT-11G-72-C-R	HP6-11DW2

<b>12GHz</b> 12.200-12.700	3	N/A	N/A	N/A	N/A	N/A	A-ANT-12G-36-C-R	HP3-12DW2
<b>13GHz</b> 12.7-13.25	2	35.2	2.8	63	Class 2	N/A	A-ANT-13G-24-C-R	HP2-13DW2
	3	38.7	2.1	66	Class 2	N/A	A-ANT-13G-36-C-R	HP3-13DW2
	4	41.2	1.4	68	Class 2	Cat B	A-ANT-13G-48-C-R	HP4-13DW2
	6	44.3	0.9	70	Class 3	Cat A	A-ANT-13G-72-C-R	HP6-13DW2
<b>15GHz</b> 14.250-15.350	2	37	2.4	N/A	Class 3	N/A	A-ANT-15G-24-C-R	HP2-15DW2
	3	40	1.6	N/A	Class 2	N/A	A-ANT-15G-36-C-R	HP3-15DW2
	4	42.5	1.2	N/A	Class 3	N/A	A-ANT-15G-48-C-R	HP4-15DW2
	6	45.7	0.8	N/A	Class 2	N/A	A-ANT-15G-72-C-R	HP6-15DW2
<b>18GHz</b> 17.7-19.7	1	34	3	53	Class 3	N/A	A-ANT-18G-12-C-R	HPLP1-18DW2
	2	38.6	2	66	Class 3	Cat A	A-ANT-18G-24-C-R	HP2-18DW2
	3	42	1.3	69	Class 3	Cat A	A-ANT-18G-36-C-R	HP3-18DW2
	4	44.5	1	72	Class 3	Cat A	A-ANT-18G-48-C-R	HP4-18DW2
	6	48	0.7	N/A	Class 2	Cat A	A-ANT-18G-72-C-R	HP6-18DW2
<b>23GHz</b> 21.200-23.600	1	35.1	2.7	62	Class 3	Cat A	A-ANT-23G-12-C-R	HPCPE-23DW2
	2	40.2	1.7	68	Class 3	Cat A	A-ANT-23G-24-C-R	HP2-23DW2
	3	43.7	1.1	71	Class 3	Cat A	A-ANT-23G-36-C-R	HP3-23DW2
	4	46.2	0.8	72	Class 3	Cat A	A-ANT-23G-48-C-R	HP4-23DW2
	6	49.2	0.6	N/A	Class 3	Cat A	A-ANT-23G-72-C-R	HP6-23DW2
<b>26GHz</b> 24.250-26.500	1	36.1	2.6	55	Class 3	Cat A	A-ANT-26G-12-C-R	HPCPE-26DW2
	2	41.1	1.4	69	Class 3	Cat A	A-ANT-26G-24-C-R	HP2-26DW2
	3	44.6	1	72	Class 3	Cat A	A-ANT-26G-36-C-R	HP3-26DW2
	4	46.9	0.7	N/A	Class 3	Cat A	A-ANT-26G-48-C-R	HP4-26DW2
	6	N/A	N/A	N/A	Class 3	Cat A	A-ANT-26G-72-C-R	HP6-26DW2
<b>28GHz</b> 27.500-29.500	1	36.5	2.3	56	Class 2	N/A	A-ANT-28G-12-C-R	HPCPE-28DW2
	2	42.5	1.3	72	Class 2	N/A	A-ANT-28G-24-C-R	HP2-28DW2
	3	46	0.9	N/A	Class 2	N/A	A-ANT-28G-36-C-R	HP3-28DW2
	4	N/A	N/A	N/A	Class 2	N/A	A-ANT-28G-48-C-R	HP4-28DW2
<b>38GHz</b> 37.000-40.000	1	39.3	1.7	58	Class 3	Cat A	A-ANT-38G-12-C-R	HPCPE-38DW2
	2	44.3	1	72	Class 3	Cat A	A-ANT-38G-24-C-R	HP2-38DW2
<b>60GHz</b> 57.000-64.000	1	N/A	N/A	N/A	Class 2	N/A	A-ANT-60G-12-C-R	HPCPE-60
	2	N/A	N/A	N/A	N/A	N/A	A-ANT-60G-24-C-R	HP2-60

*Actual antenna appearances may differ from shown.*

**RADIOWAVE ANTENNA DIMENSIONS**

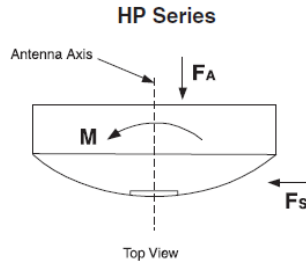


Diameter = inches (cm)

Antenna Diameter	A	B	C	D	E	F	G
1 ft (30 cm)	13.9 (35.3)	7.7 (19.6)	9.3(23.6)	11.2(28.4)	8.9(22.6)		
2 ft (60 cm)	24.5(62.2)	16.2(41.1)	17.7(44.9)	11.2(28.4)	8.9(22.6)		
3 ft (90 cm)	38.0(91.4)	16.0(40.6)	30.2(76.7)	9.3(23.6)	21.0(53.3)	25.7(65.3)	7.0 (17.8)
4 ft (120 cm)	50.0(127.0)	20.8(52.8)	35.0(89.0)	12.0(30.5)	21.0(53.3)	25.7(65.3)	7.0(17.8)
6 ft (180 cm)	70.0(177.8)	27.2(69.1)	39.4(100.1)	12.0(30.5)	21.0(53.3)	25.7(65.3)	7.0(17.8)
8 ft (240 cm)	103.0(261.6)	48.4(122.9)	59.7(151.6)	32.0(99.1)	39.0(99.1)	40.6(103.1)	8.0(20.3)

Adjusted Ranges	1-2ft		3-8ft		
Azimuth	Course 360°	Elevation:	Fine	+/-30°	+/-10°
HP2	Fine +/-10°				

## RADIO WAVE HP WIND FORCES



Antenna Windloading					
1' (30 cm) (HPLP1 & HPCPE)		2' (60 cm)		3' (90 cm)	
Fa Max	46 lbs. (204N)	Fs max	202 lbs. (905N)	Fs max	403 lbs. (1800N)
Fs Max	13 lbs. (58N)	Fs max	100 lbs. (445N)	Fs max	200 lbs. (890N)
MT Max	27 lbs. (36N)	MT max	194 lbs. (260Nm)	MT max	344 lbs. (530Nm)

Antenna Windloading					
4' (120 cm)		6' (180 cm)		8' (240 cm)	
Fa max	737 lbs. (3290N)	Fa max	1680 lbs. (7500N)	Fa max	2773 lbs. (12380N)
Fs max	365 lbs. (1630N)	Fs max	832 lbs. (3715N)	Fs max	1422 lbs. (6350N)
MT Max	784 lbs. (1055Nm)	MT max	2100 lbs. (2835Nm)	MT max	4400 lbs. (5960Nm)

## ANTENNA & SHIPPING WEIGHT DETAILS

Model	Package	Dimensions (in)	Gross	Net Weight
	Type	L X W X H	Lbs. (kg)	lbs. (kg)
HPCPE	BOX	25X16X13	23(10.43)	15 (6.8)
HP2	BOX	31X31X25	48(21.77)	27 (12.3)
HP3	CRATE	47X28X48	143(64.86)	50 (22.5)
HP4	CRATE	59X35X60	196(88.90)	85 (38.3)
HP6	CRATE	77X35X80	401(181.89)	251 (113.0)
HP8	CRATE	108X63X95	1122(508.93)	424 (194.5)

600-411 Legget Drive  
 Ottawa, Ontario, Canada, K2K 3C9  
 Tel: 613-599-9991  
 Fax: 613-599-4225

[nasales@dragonwaveinc.com](mailto:nasales@dragonwaveinc.com)  
[emeasales@dragonwaveinc.com](mailto:emeasales@dragonwaveinc.com)